

*Any Way You Want  
to Slice It, a* **RYAN** *is Always Best*  
**Technology, Inc.**

## Product Specification Sheet

Ryan Model 8903 Dual Use In-Line Center- & Side-Hinge Slicer



# Ryan Model 8903 Dual Use In-Line Center- & Side-Hinge Slicer

High-speed single-line horizontal slicer for sub-rolls, bagels, English muffins, buns, ciabatta, etc.

Capacity: Up to 400 units per minute.  
Will handle product up to 6" in width and 3" tall.

## Standard Features:

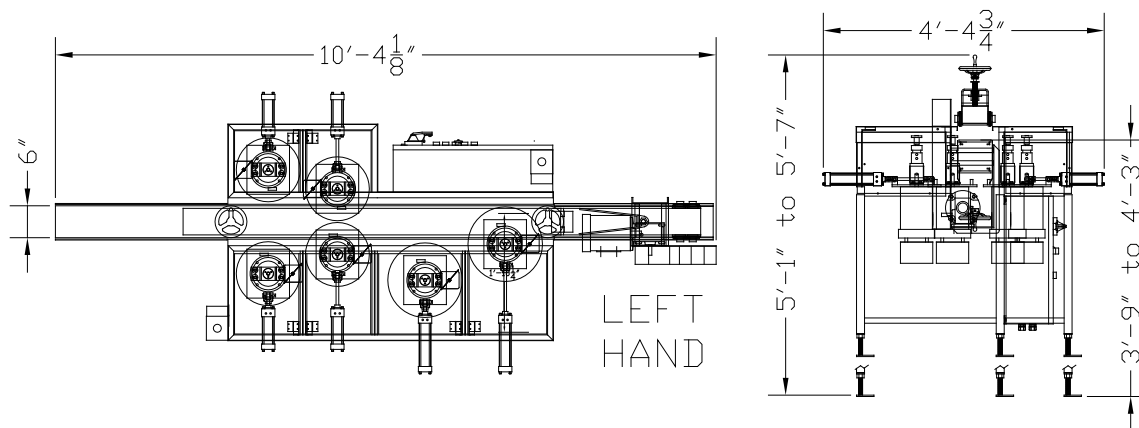
- 6" wide conveyor with Intralox friction top chain
- Can flow product through without cutting in Neutral mode
- Adjustable upper conveyor to slow product after blades
- Stainless steel tubular frame
- 1 HP motors on blades with brakes to stop blades within one revolution upon shut-down
- Coded magnetic safety switches on blade access doors that allow operation only when door is closed
- Four 12" and two 14" circular saw blades
- Air-operated blade change system (60 lb.+ air supply needed)
- Air pressure regulator and oiler on board
- Adjustable for cut height, depth, and product width
- Factory adjustable conveyor speed
- 3-Phase power (208, 240, 480 volt) 15 amp
- Adjustable conveyor bed height via screw-in-type feet

## Options:

- Ryton coating on blades
- Conveyor bed adjustable height for blade cut, adds 6" to conveyor length (independent of feet)
- PLC or VFD conveyor variable speed drive

©2/2019

Crate Size: 124" x 61" x 64" H



**RYAN**  
TECHNOLOGY, INC.

1-800-277-2290 • 503-648-9967 • 503-640-3846 (Fax) • [www.RyanSlicer.com](http://www.RyanSlicer.com)

P.O. Box 1960 Hillsboro, OR 97123-1960 USA