

*Any Way You Want
to Slice It, a* **RYAN** *is Always Best*
Technology, Inc.

Product Specification Sheet

Ryan Model 1193 Utility Slicer



Ryan Model 1193 Utility Slicer

High-speed versatile horizontal slicer for French rolls, bagels, English muffins, buns, croissants, etc.

Specifically designed for long products.

Capacity: Depends on product and in-feed method.
Will handle product up to 5 1/2" in width, 3" tall.

Single-blade (1193A) or Dual-blade (1193B) Configuration

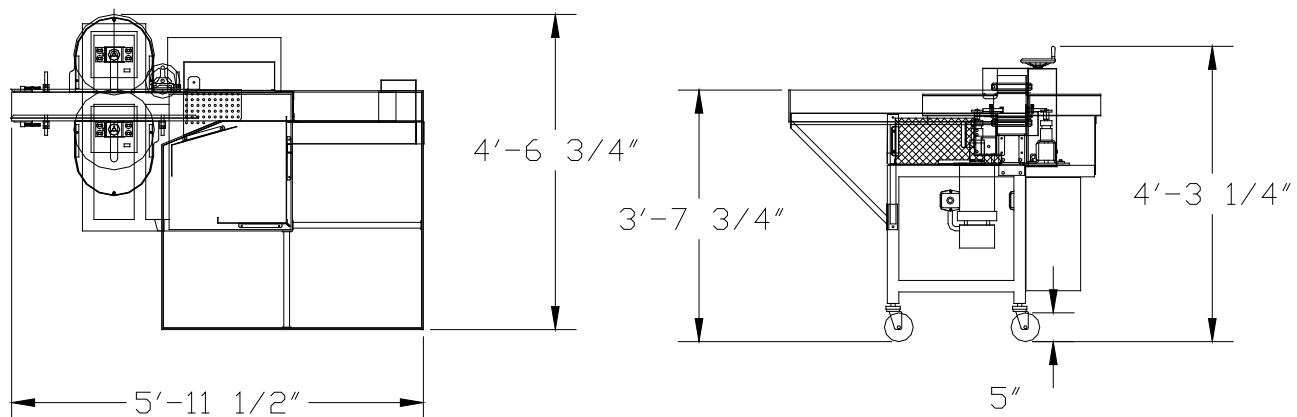
Standard Features:

- Stainless steel feed table
- 5" wide conveyor
- USDA approved powder-coated tubular steel frame
- Nickle plated steel blade housings, conveyors, and guards
- 1 HP motors on blades with brakes to stop blades within one revolution upon shut-down
- Coded magnetic safety switches on Lexan blade covers that allow operation only when covers are in place
- 12" circular saw blades
- Adjustable for cut height, depth, and product width
- Factory adjustable conveyor speed (non-vary-drive machines)
- 3-Phase power (208 or 240 volt) 20 amp
- 5" casters

Options:

- Ryton coating on blades
- Conveyor variable speed drive
- Wider conveyor for larger or clustered product (photo on front page)
- Right-hand or left-hand configuration (left-hand shown below)
- Wash down option

©8/2016



RYAN
TECHNOLOGY, INC.

1-800-277-2290 • 503-648-9967 • 503-640-3846 (Fax) • www.RyanSlicer.com

P.O. Box 1960 Hillsboro, OR 97123-1960 USA