

Ryan Model 894 In-Line Side-Hinge Slicer



*Model 894 Slicer shown with Model 797 In-feed unit

RYAN
TECHNOLOGY, INC.

1-800-277-2290 • 503-648-9967 • 503-640-3846 (Fax) • www.RyanSlicer.com
P.O. Box 1960 Hillsboro, OR 97123-1960 USA

Ryan Model 894 In-Line Side-Hinge Slicer

High-speed single-line horizontal slicer for sub-rolls, bagels, English muffins, buns, ciabatta, etc.

Capacity: Up to 400 units per minute.
Will handle product up to 6" in width and 3" tall.

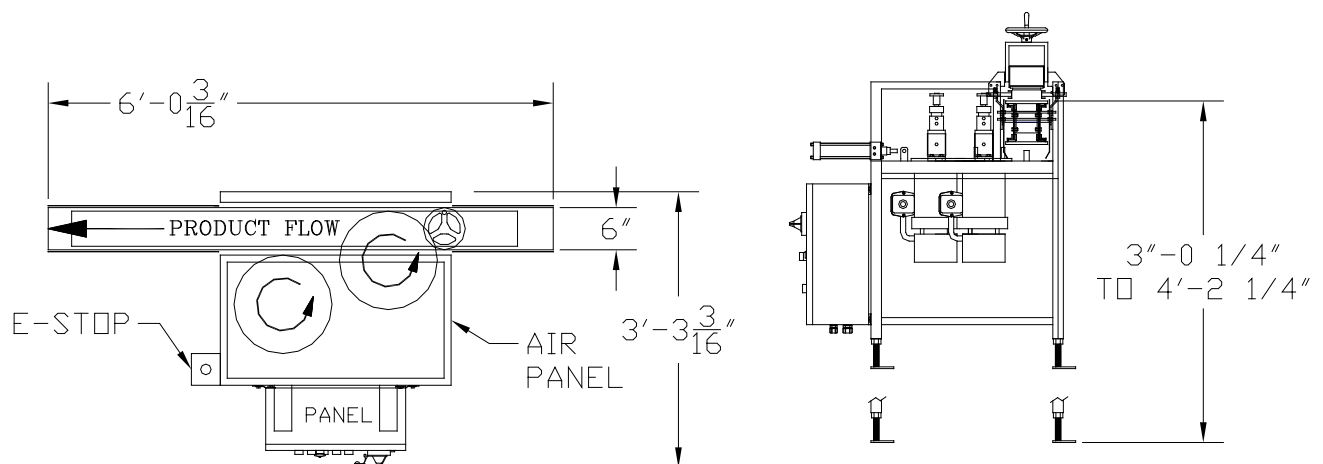
Standard Features:

- 6" wide conveyor with Intralox friction top chain
- Can flow product through without cutting in Neutral mode
- Adjustable upper conveyor to slow product after blades
- Stainless steel frame
- 1 HP motors on blades with brakes to stop blades within one revolution upon shut-down
- Coded magnetic safety switches on blade access doors that allow operation only when door is closed
- Two 14" circular saw blades
- Air-operated blade change system (60 lb.+ air supply needed)
- Air pressure regulator and oiler on board
- Adjustable for cut height, depth, and product width
- Factory adjustable conveyor speed
- 3-Phase power (208, 240, 480 volt) 20 amp
- Adjustable conveyor bed height via screw-in-type feet

Options:

- Ryton coating on blades
- Conveyor bed adjustable height for blade cut, adds 6" to conveyor length (independent of feet)
- PLC or VFD conveyor variable speed drive
- Crate Size: 84" x 61" x 64" H

©2/2019



RYAN
TECHNOLOGY, INC.