

Ryan Model 1193 Utility Slicer



RYAN
TECHNOLOGY, INC.

1-800-277-2290 • 503-640-9200 • 503-640-3846 (Fax) • www.ryanslicer.com
2705 SE 39th Loop Suite B • Hillsboro, OR 97123

Ryan Model 1193 Utility Slicer

High-speed versatile horizontal slicer for French rolls, bagels, English muffins, buns, croissants, etc.

Specifically designed for long products.

Capacity: Depends on product and in-feed method.
Will handle product up to 5 1/2" in width, 3" tall.

Single-blade (1193A) or Dual-blade (1193B) Configuration

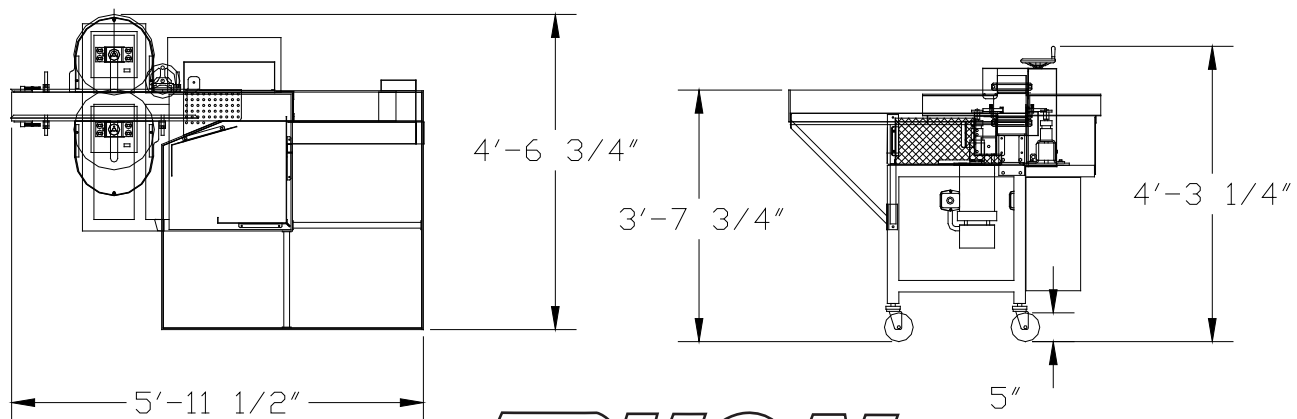
Standard Features:

Stainless steel feed table
5" wide conveyor
USDA approved powder-coated tubular steel frame
Nickle plated steel blade housings, conveyors, and guards
1 HP motors on blades with brakes to stop blades within one revolution upon shut-down
Coded magnetic safety switches on Lexan blade covers that allow operation only when covers are in place
12" circular saw blades
Adjustable for cut height, depth, and product width
Factory adjustable conveyor speed (non-vary-drive machines)
3-Phase power (208 or 240 volt) 20 amp
5" casters

Options:

Ryton-coating on blades
Conveyor variable speed drive
Wider conveyor for larger or clustered product
Right-hand or left-hand configuration (left-hand shown)

©8/2016



RYAN
TECHNOLOGY, INC.